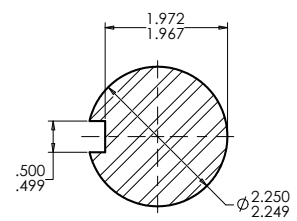
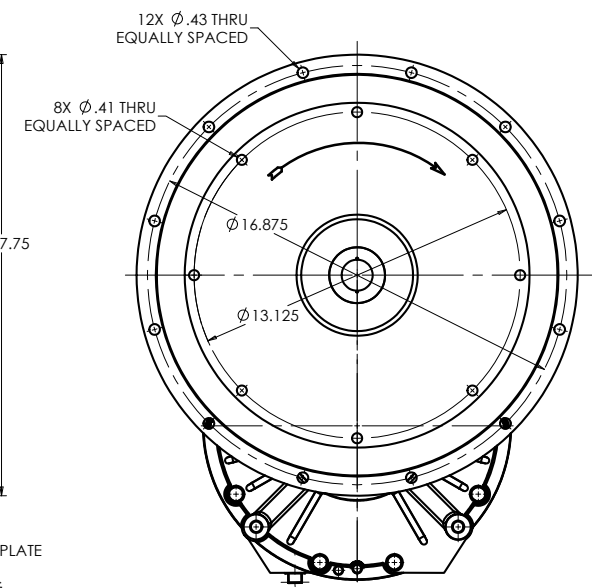
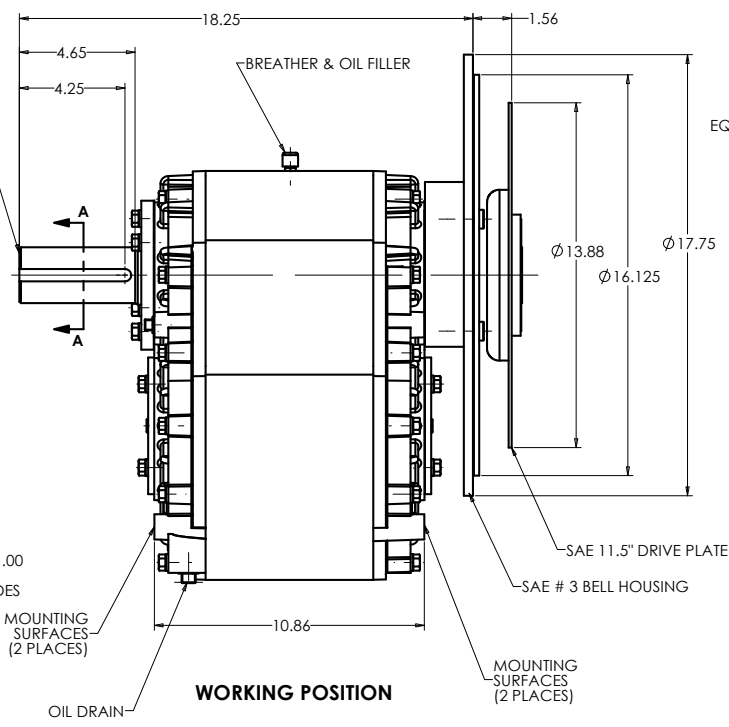


4X 1/2-13 UNC - 2B ∇ 1.00
MOUNTING HOLES
SYMMETRICAL BOTH SIDES



GEARBOX DATA:

- INPUT:
POWER: **100 HP**
SPEED: **3600 RPM.**
- RATIO: **1.86:19** (SPEED REDUCER)
- ROTATION: **ENGINE.**
- LUBRICATION TYPE: **BATH.**
- SUMP CAPACITY: **5 QT APPR.**
- SURFACE FINISH: **CASE- NATURAL ALUMINUM.**
- APPR. WEIGHT: **225 lbs W/O OIL.**

		RJ Link International, Inc. Rockford, IL 61109, USA		THIRD ANGLE PROJECTION
<small>This document is the property of RJ Link International, Inc. and is loaned to the recipient for his confidential use only in consideration of the loan of this drawing. recipient promises and agrees that it shall not be used in any way detrimental to the interest of RJ Link International, Inc., that it shall be returned upon request, and it shall not be reproduced, copied, loaned or otherwise disposed of directly or indirectly without the expressed written consent of RJ Link International, Inc.</small>				
<small>TORSIONAL VIBRATIONS EXIST IN ALL ROTATING SYSTEMS. IT IS THE SOLE RESPONSIBILITY OF THE EQUIPMENT MANUFACTURER OR ASSEMBLER TO INSURE THAT NO DAMAGING CRITICALS FALL IN THE OPERATING RANGE OF THE SYSTEM.</small>				
DESCRIPTION REDUCTION GEARBOX		D201E186002		
DRAWN MMM	DATE 9/11/2017	SCALE 1:2	PART FILE	SHEET 1 OF 00
CHECKED JO	DATE 9/12/2017			
ENG APP JO	DATE 9/12/2017			