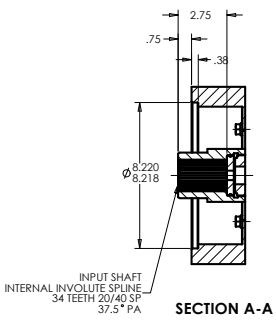
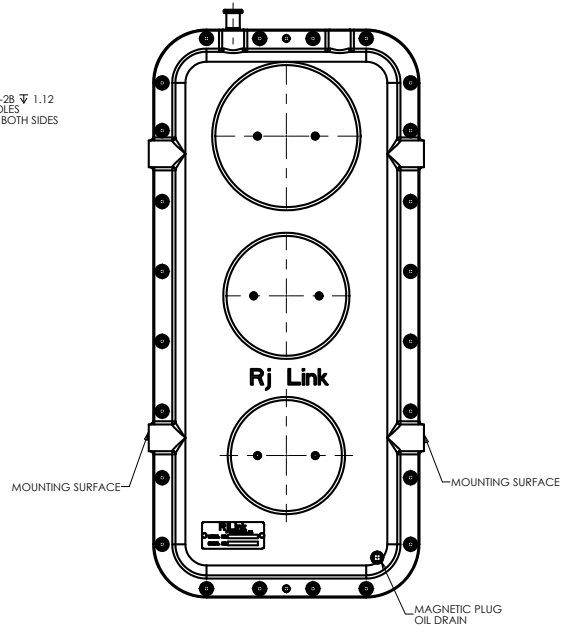
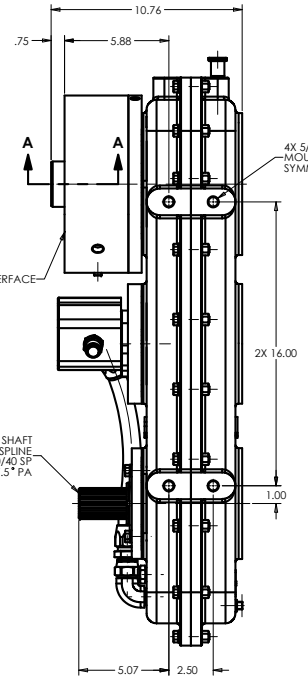
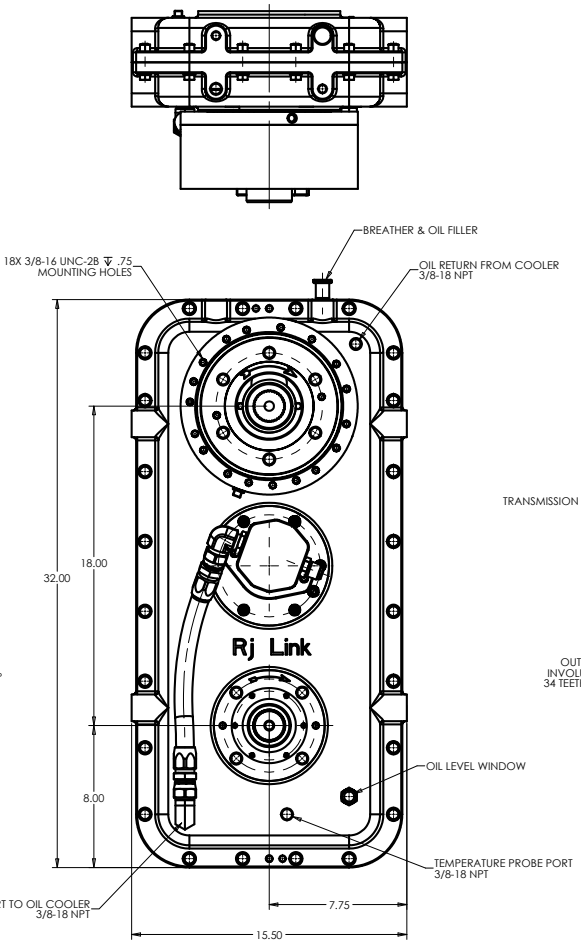


WORKING POSITION



SECTION A-A

GEARBOX DATA:

- INPUT CAPACITY: **180 HP.**
- INPUT SPEED: **3600 RPM MAX.**
- RATIO: **1.00:1.**
- ROTATION: **ENGINE.**
- LUBRICATION TYPE: **CIRCULATING COOLED OIL.**
- LUBE CAPACITY: **5 PINTS APPR.**
- APPR WEIGHT: **250 lbs W/O OIL.**

		RJ Link International, Inc. Rockford, IL 61109, USA		THIRD ANGLE PROJECTION
This document is the property of RJ Link International, Inc. and is loaned to the recipient for their confidential use only. In consideration of the loan of this drawing, recipient promises and agrees that it shall not be used in any way detrimental to the interest of RJ Link International, Inc. That it shall be returned upon request, and it shall not be reproduced, copied, loaned or otherwise disposed of directly or indirectly without the expressed written consent of RJ Link International, Inc.				
DESCRIPTION: TRANSFER CASE		DRAWING NO.: D218E10004		
DRAWN: MMM CHECKED: JO ENG APP: JO	DATE: 10/10/2017 DATE: 10/11/2017 DATE: 10/11/2017	SCALE: 12.5 PART FILE:	SHEET 1 OF 1 00	