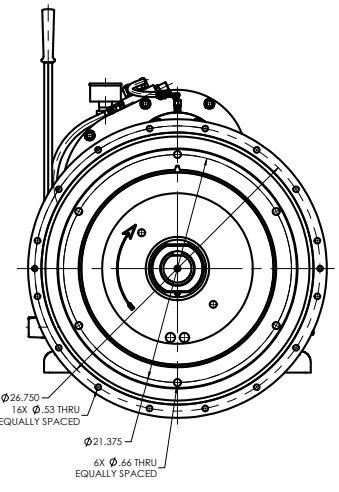
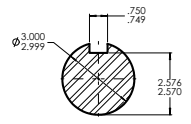


WORKING POSITION



GEARBOX DATA:

- INPUT: POWER: 750 HP, SPEED: 1500 RPM.
- RATIO: 1:1.79 (SPEED INCREASER)
- ROTATION: ANTI-ENGINE
- LUBRICATION TYPE: CIRCULATING COOLED OIL
- SUMP CAPACITY: 5 GALLONS APPR.
- SURFACE FINISH: PER CUSTOMER REQUEST.
- APPR. WEIGHT: 1500 lbs W/O OIL.



SECTION A-A (ENLARGED)

RJ Link International, Inc. Rockford, IL 61109, USA		REVISED PRODUCTION
<small>This document is the property of RJ Link International, Inc. and is loaned to the recipient for their confidential use only. In consideration of the loan of this drawing, recipient promises and agrees that it shall not be used in any way detrimental to the interest of RJ Link International, Inc. and it shall be returned upon request, and it shall not be reproduced, copied, scanned or otherwise disclosed or directly or indirectly without the expressed written consent of RJ Link International, Inc.</small>		
<small>TORSIONAL VIBRATIONS EXIST IN ALL ROTATING SYSTEMS. IF IN THE RESPONSIBILITY OF THE EQUIPMENT MANUFACTURER OR ASSEMBLER TO INSURE THAT NO DAMAGING CONDITIONS WILL BE THE OPERATING RANGE OF THE SYSTEM.</small>		SPEED INCREASER
PART: M444 DESIGNED: JO DATE: 9/27/2017	REVISED: JO DATE: 9/27/2017	D 15 SHEET 1 OF 2