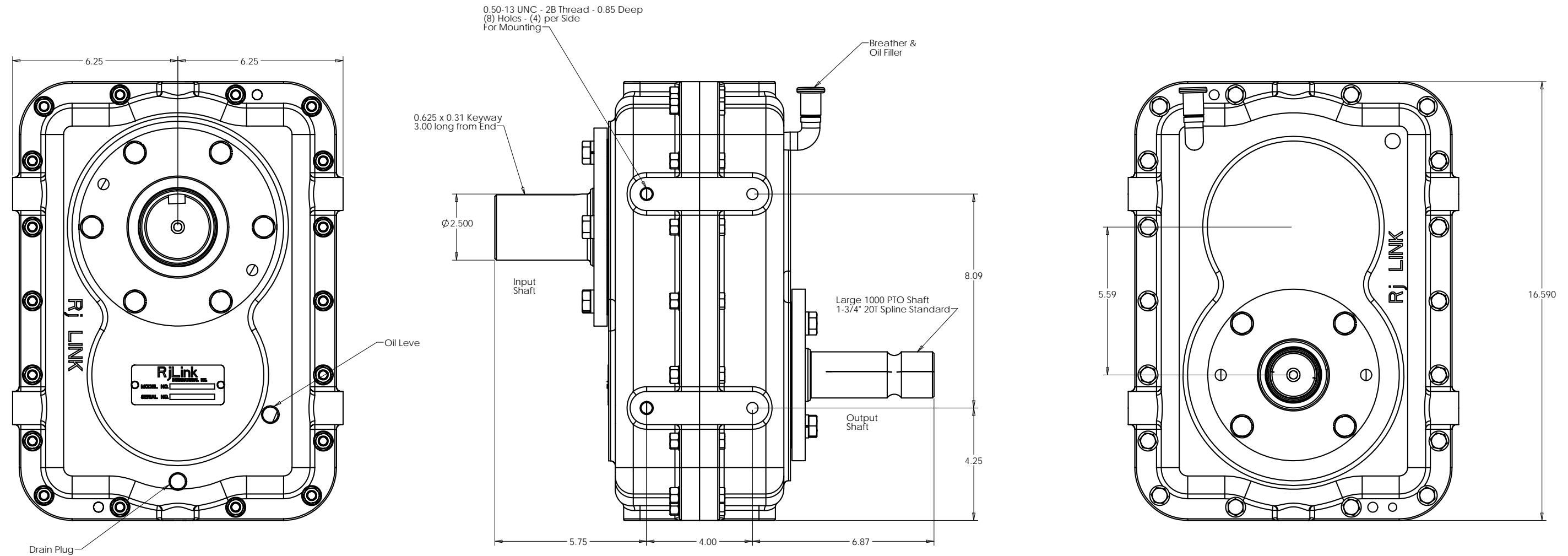


Proposal Drawing



- Gearbox Data:**
- Anti-Rotation
  - Ratio 2:1 Reducer
  - 2300 RPM Input
  - 400 HP Input
  - Approx. WT: 205 Lbs

		<b>RJ Link International, Inc.</b> Rockford, IL 61109, USA		THIRD ANGLE PROJECTION 
This document is the property of RJ Link International, Inc. and is loaned to the recipient for their confidential use only. In consideration of the loan of this drawing, recipient promises and agrees that it shall not be used in any way detrimental to the interest of RJ Link International, Inc., that it shall be returned upon request, and it shall not be reproduced, copied, loaned or otherwise disposed of directly or indirectly without the expressed written consent of RJ Link International, Inc.				
TORSIONAL VIBRATIONS EXIST IN ALL ROTATING SYSTEMS. IT IS THE SOLE RESPONSIBILITY OF THE EQUIPMENT MANUFACTURER OR ASSEMBLER TO INSURE THAT NO DAMAGING CRITICALS FALL IN THE OPERATING RANGE OF THE SYSTEM.			DESCRIPTION <b>Speed Reducer 2:1</b>	
DWG SIZE: D		DWG No: D190A200006		
DRAWN: TJM	DATE: 11-17-2020	SCALE: 1:4	PART FILE: D190A200006	SHEET 1 OF 1
CHECKED:	DATE:	SCALE:	PART FILE:	REV: 00
ENG APP:	DATE:	SCALE:	PART FILE:	REV: