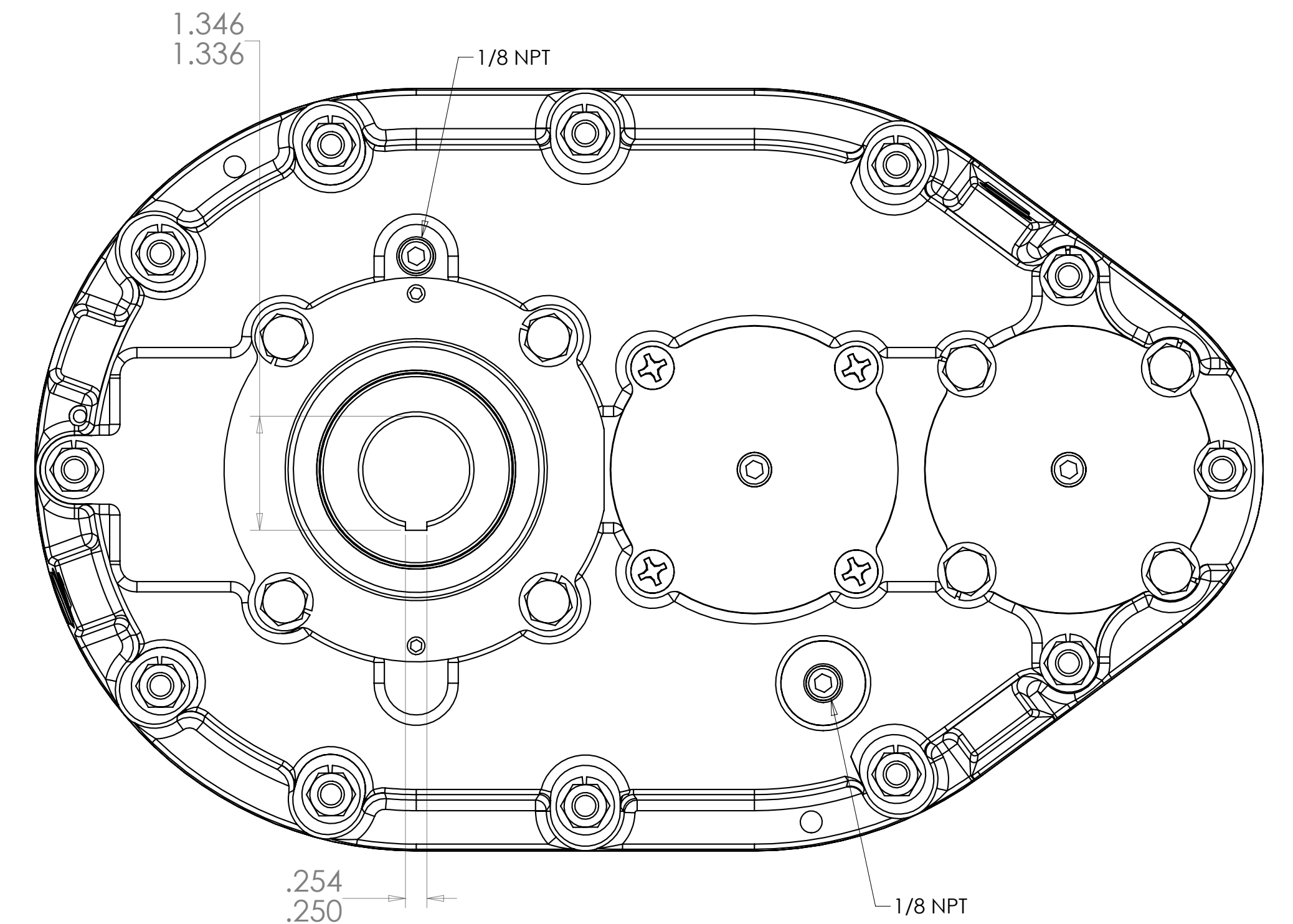
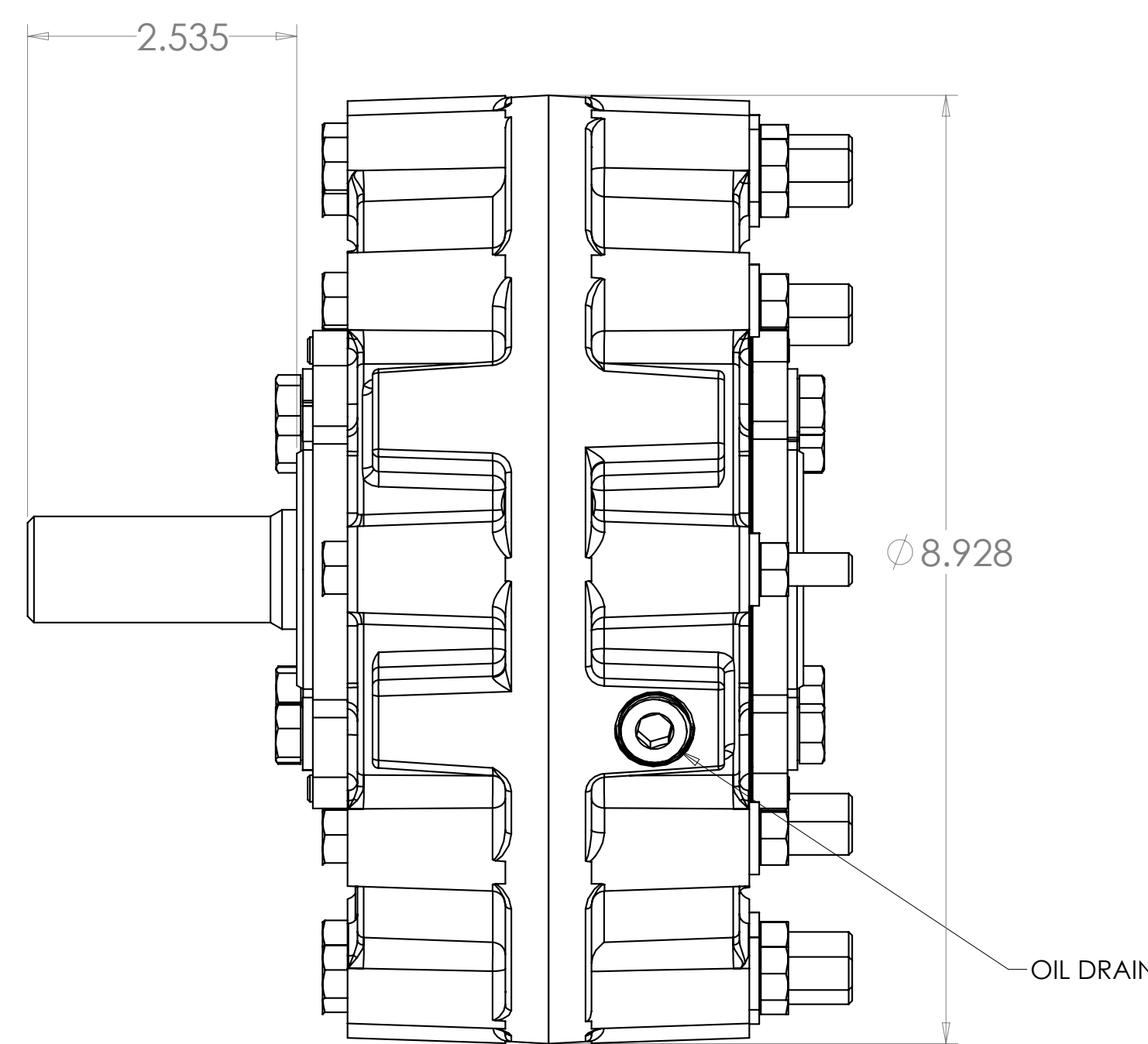
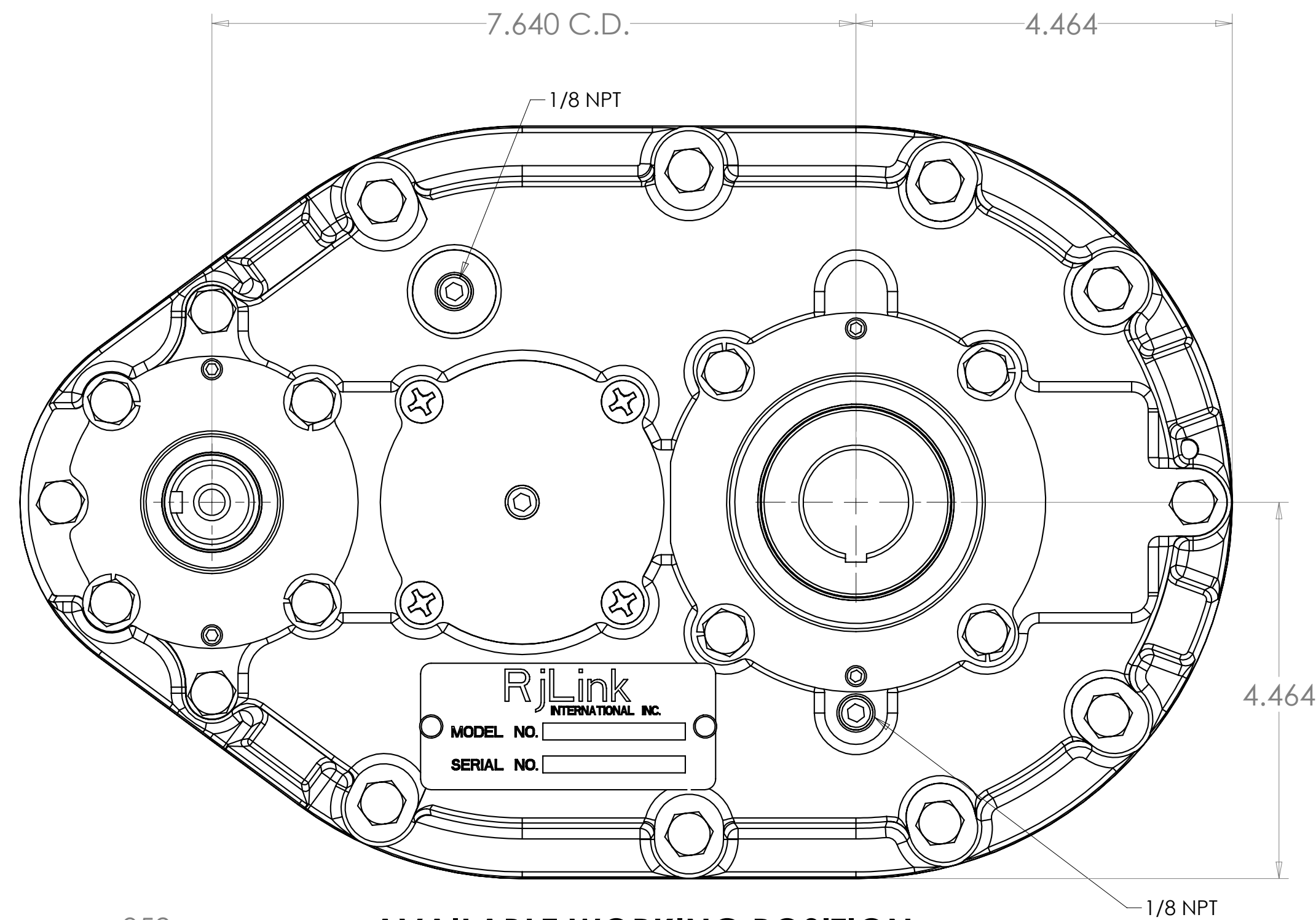
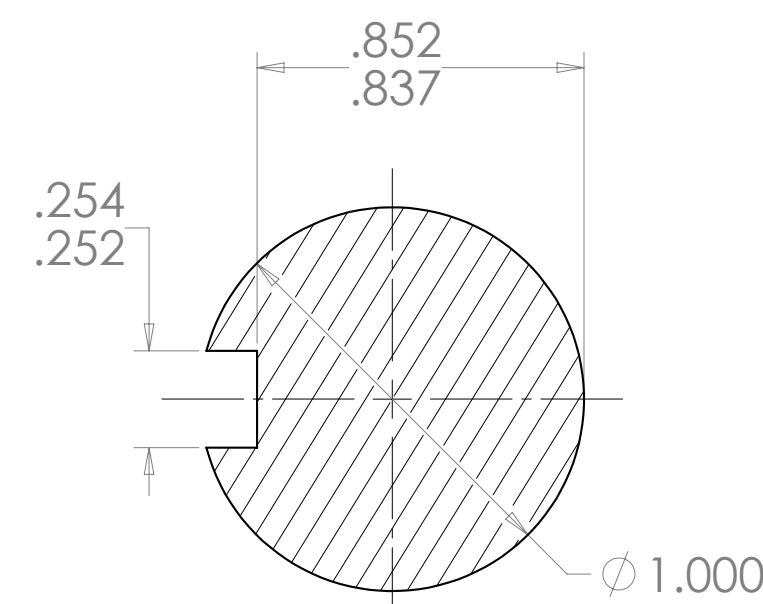


AVAILABLE WORKING POSITION



AVAILABLE WORKING POSITION



SECTION A-A

NOTE:

- FEATURES ON GEARBOX ARE CONFIGURABLE AND CAN BE DETAILED UPON QUOTE REQUEST
- ALTERNATE GEAR RATIO OPTIONS AVAILABLE
- INPUT AND OUTPUT SHAFTS CONFIGURABLE
 - (EXAMPLES: INTERNAL OR EXTERNAL SPLINE, PUMP PAD MOUNTS, ETC.)
- GEARBOX DATA RANGES MAY NOT COVER ALL AVAILABLE OPTIONS
- MAY BE USED AS SPEED INCREASER, MUST BE REVIEWED PRIOR TO QUOTE

GEARBOX DATA RANGES:

- INPUT: POWER: **6-64 HP**
- SPEED: **29-6000 RPM.**
- RATIO: **5:1 THRU 8.14:1** (SPEED REDUCER)
- ROTATION: **ENGINE**
- LUBRICATION TYPES AVAILABLE: **SPLASH & RECIRCULATED**
- SUMP CAPACITY: **1-1.5 QT APPROX.**
- APPR. WEIGHT: **60-130 lbs W/O OIL.**

		RJ Link International, Inc. Rockford, IL 61109, USA		THIRD ANGLE PROJECTION
<small>This document is the property of RJ Link International, Inc. and is loaned to the recipient for their confidential use only. In consideration of the loan of this drawing, recipient promises and agrees that it shall not be used in any way detrimental to the interest of RJ Link International, Inc., that it shall be returned upon request, and it shall not be reproduced, copied, loaned or otherwise disposed of directly or indirectly without the expressed written consent of RJ Link International, Inc.</small>				
<small>TORSIONAL VIBRATIONS EXIST IN ALL ROTATING SYSTEMS. IT IS THE SOLE RESPONSIBILITY OF THE EQUIPMENT MANUFACTURER OR ASSEMBLER TO INSURE THAT NO DAMAGING CRITICALS FALL IN THE OPERATING RANGE OF THE SYSTEM.</small>			GEARBOX SPEED REDUCER	
DRAWN: LJA CHECKED: _____ ENG APP: _____	DATE: 12/17/2021 DATE: _____ DATE: _____	SCALE: 1:2 PART FILE: D050	DWG No.: D050E814002 REV: A	SHEET 1 OF 1